

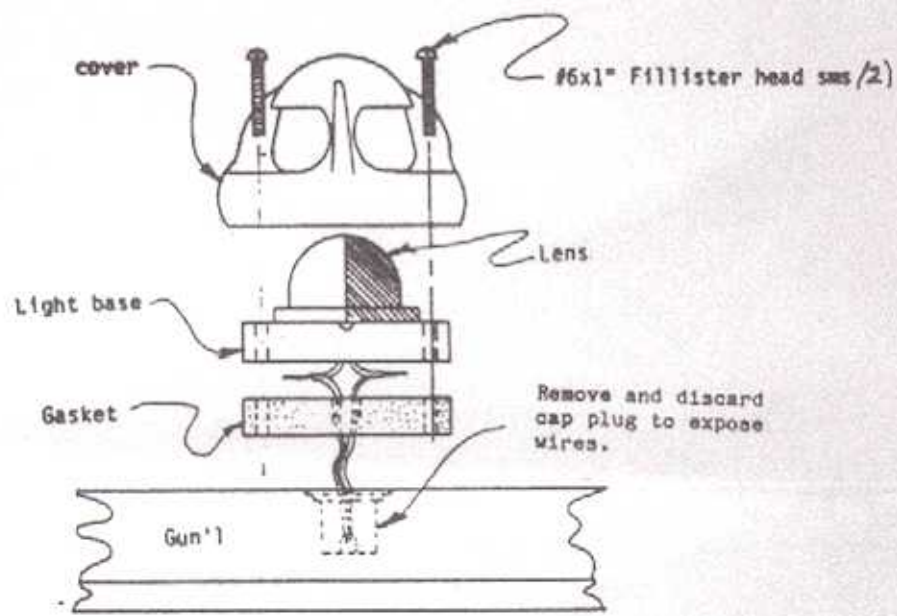
1987

BOSTON WHALER

Stern Light Installation Instructions for 11'-17' boats

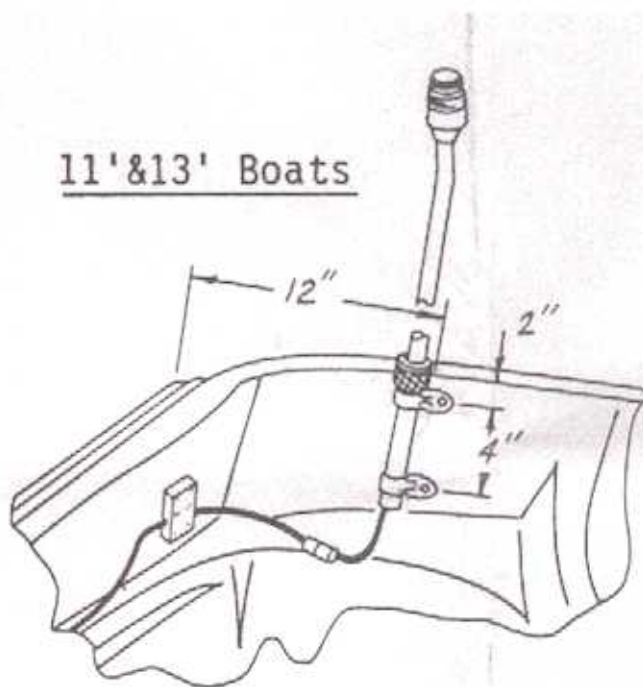
Sue Lodel, Parts Dept. Mgr.
Twin Cities Marine, Inc
1600 12th St., PO Box 126
Two Rivers, WI 54241-0126
(920) 793-2715

Email: tcmarine@lakefield.net
Web: <http://www.twincitiesmarine.com>



Detail A

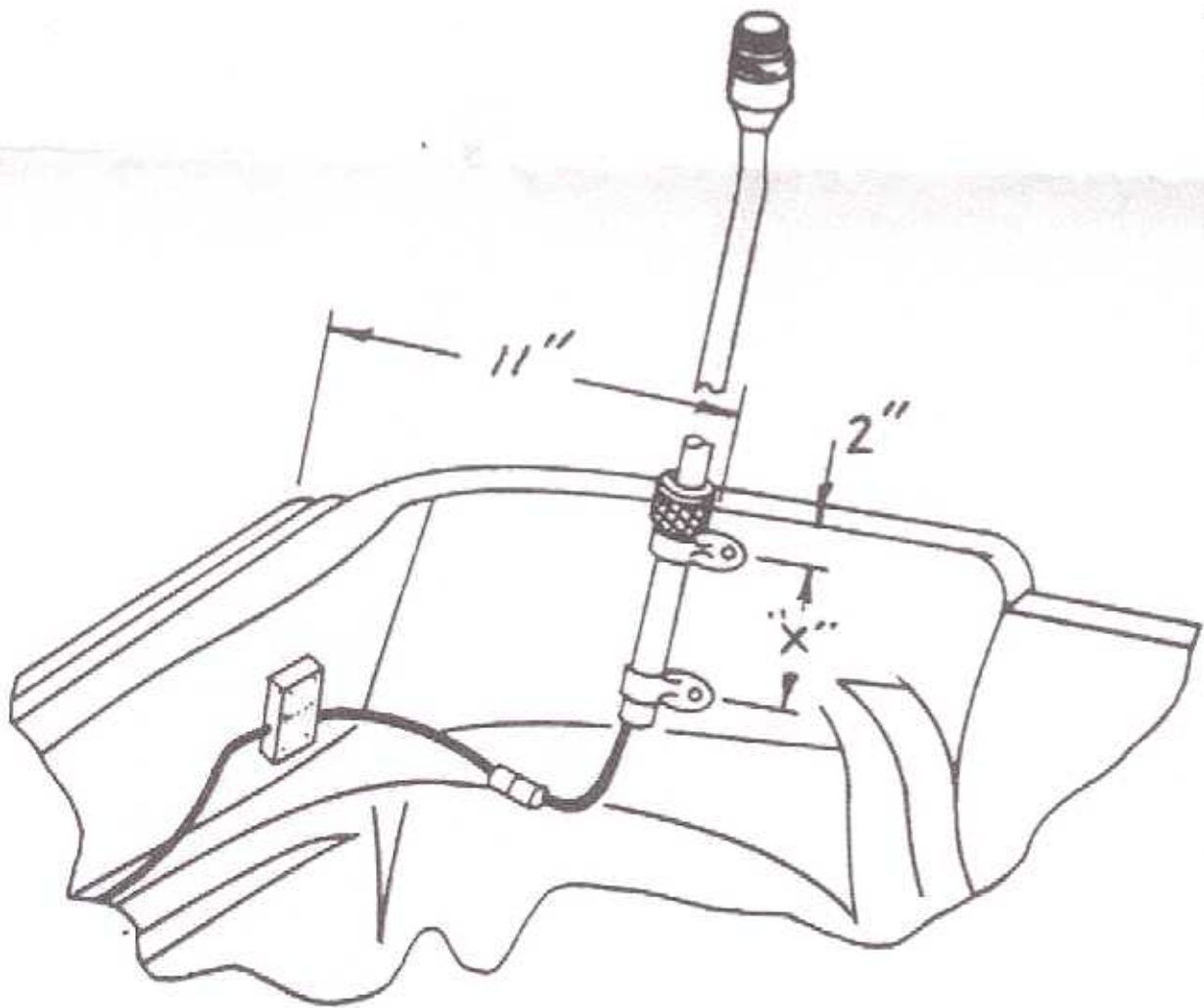
11' & 13' Boats



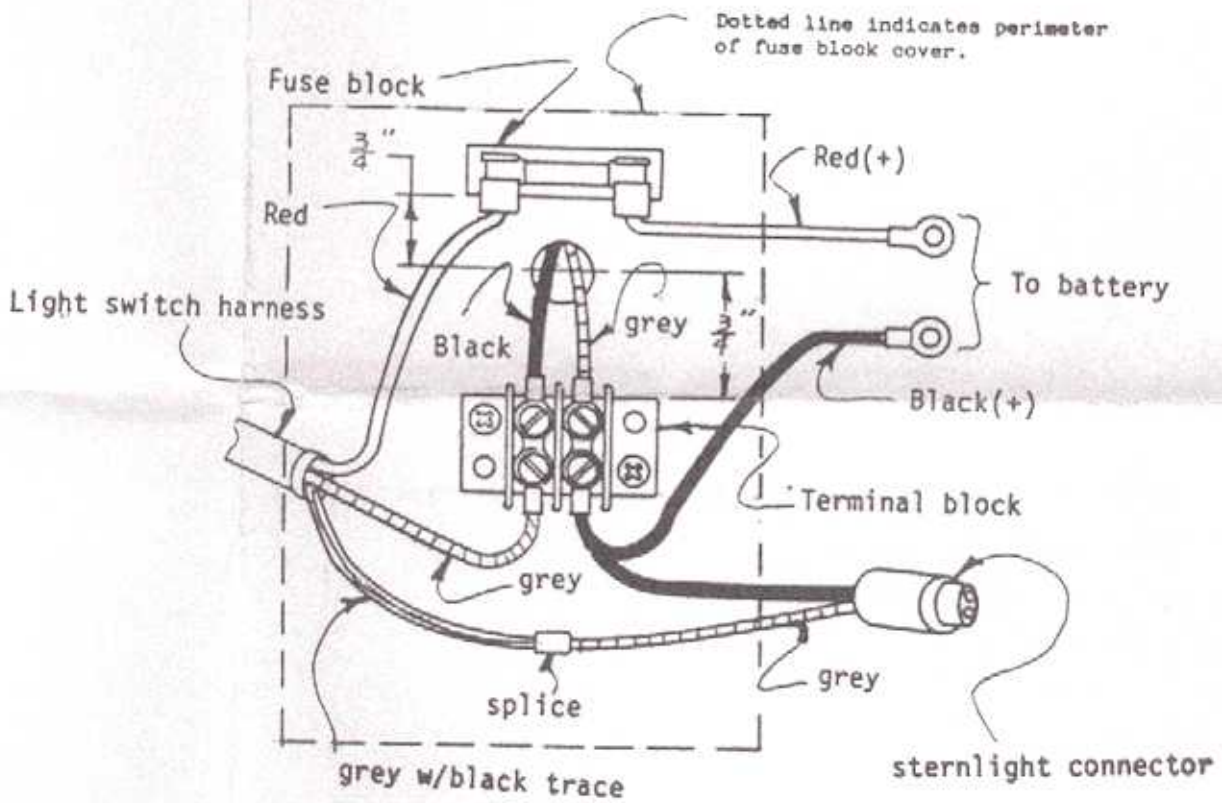
Detail B

15' & 17' Boats

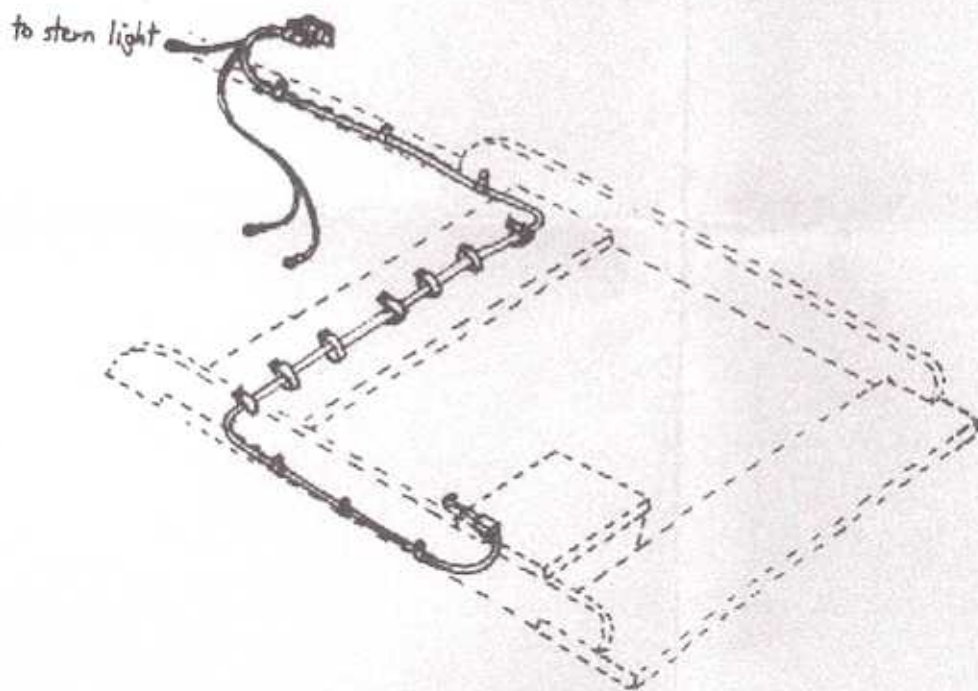
<u>model</u> <u>boat</u>	<u>X</u>
15'	3-1/2"
17'	4"



Detail C

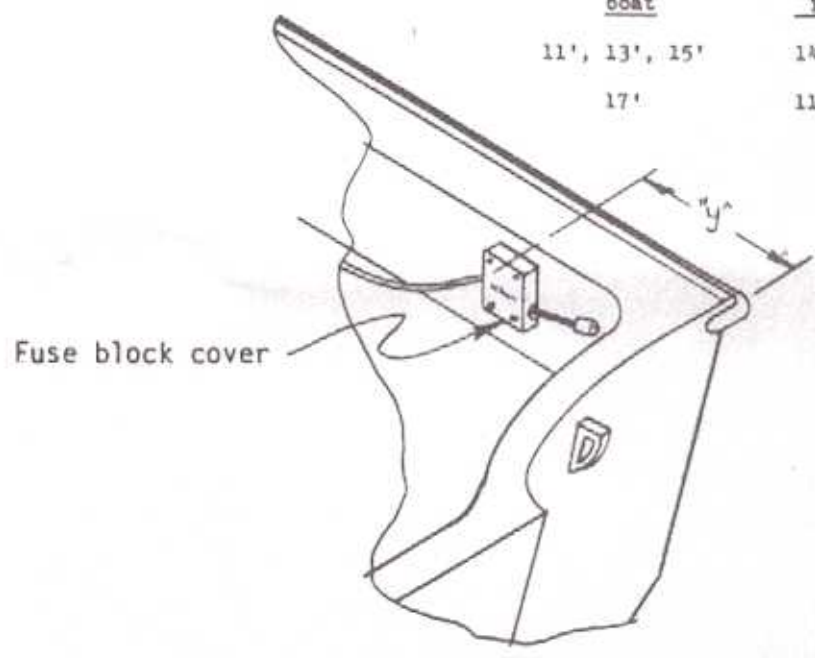


Detail D



Detail E

<u>model</u> <u>boat</u>	<u>Y</u>
11', 13', 15'	14"
17'	11"



Detail F

1. Place bow light over yellow cap plug with center divider parallel with fore and aft centerline of boat. Remove cover and lense. Use base as a guide to drill two 3/32" diameter holes, 7/16" deep.

2. Remove yellow cap plug. Push two wire through rubber gasket. Twist, solder, and tape to light base wires. Install light with (2) #6x1" Fillister Hd SMS. See Detail A .

3. For 11' and 13' models stern light mounts as shown in Detail B, 15' and 17' as shown in Detail C .

NOTE: Stern light must be mounted so that it is plumb and not leaning either outboard or inboard. Using stern light brackets as a guide drill 5/32 holes 3/4" deep and fasten with #10x1" Oval Head SMS.

5. Remove yellow plug from aft stbd interior and expose wires. Strip wires and crimp on (2) ring terminals.

6. Locate terminal block as shown in Detail D and use as a guide to drill (2) 1/8" diameter holes, 1/2" deep. Fasten terminal block to boat using (2) #8x1" Pan head sheet metal screws.

7. Locate fuse block as shown in Detail D and use as a guide to drill (1) 3/32" diameter holes 1/2" deep. Fasten fuse block to boat using (1) #6x1" Fillister head sheet metal screw.

8. For 11' and 13', and 15' models, hull no. 581255 and after install light switch and harness and dress aft along stbd interior.

For 17' models, install light switch and dress harness through floor access tunnel. Attach terminals on harness as shown in Detail D . Remove female half of sternlight connector from sternlight and attach to stripped and tinned ends of wiring harness.

NOTE: Reference Detail E . On 15' boats prior to hull #5B1344, dress harness from stbd side to port side, under rear seat using clamps and #8x1/2" Truss head sheet metal screws.

9. Reference Detail F . Place fuse block cover over fuse and terminal blocks and use as a guide to drill (4) 1/8" diameter holes. Fasten cover to boat using (4) #8x1-1/4" Pan head sheet metal screws.

11' Boats - 15-0242-00

<u>Part No.</u>	<u>Qty</u>	<u>Description</u>
12-2536-00	1	Harness and light switch
12-0084-00	1	Bow light
82-7769-00	3	#6x1" Fillister Head SMS
12-0085-00	1	Terminal block
82-1832-00	2	#8x1" Pan Head SMS
12-1599-03	1	Sternlight
12-0079-04	1	Base, Upper
12-0079-05	1	Base, Lower
82-0099-00	4	#10x1" Oval Head SMS
12-1599-03	2	Ring terminal
12-7329-00	1	Fuse block
12-0874-00	1	Fuse AGC 5 amp
12-9231-00	1	Fuse block cover
82-5575-00	4	#8x1-1/4" pan head SMS
12-9252-00	1	Label Live wire
15-0003-02	1	Inst. Dwg.

13' and 15' After Hull #5B1255 - 15-0003-00

<u>Part No.</u>	<u>Qty</u>	<u>Description</u>
12-1681-00	1	Harness and light switch
12-0084-00	1	Bow light
82-7769-00	3	#6x1" Fillister Head SMS
12-0085-00	1	Terminal block
82-1832-00	2	#8x1" Pan Head SMS
12-1599-03	1	Sternlight
12-0079-04	1	Base, Upper
12-0079-05	1	Base, Lower
82-0099-00	4	#10x1" Oval Head SMS
12-1599-03	2	Ring terminal
12-7329-00	1	Fuse block
12-0874-00	1	Fuse AGC 5 amp
12-9231-00	1	Fuse block cover
82-5575-00	4	#8x1-1/4" pan head SMS
12-9252-00	1	Label Live wire
15-0003-02	1	Inst. Dwg.

15' Prior to Hull #5B1255 - 15-0243-00

<u>Part No.</u>	<u>Qty</u>	<u>Description</u>
12-2587-00	1	Harness and light switch
12-1206-00	13	Clamp
82-0735-00	13	#8x1/2" truss head SMS
12-0084-00	1	Bow light
82-7769-00	4	#6x1" Fillister Head SMS
12-0085-00	1	Terminal block
82-1832-00	2	#8x1" Pan Head SMS
12-1599-03	1	Sternlight
12-0079-04	1	Base, Upper
12-0079-05	1	Base, Lower
82-0099-00	4	#10x1" Oval Head SMS
12-1599-03	2	Ring terminal
12-7329-00	1	Fuse block
12-0874-00	1	Fuse AGC 5 amp
12-9231-00	1	Fuse block cover
82-5575-00	4	#8x1-1/4" pan head SMS
12-9252-00	1	Label Live wire
15-0003-02	1	Inst. Dwg.

16' and 17' Boats - 15-0249-00

<u>Part No.</u>	<u>Qty</u>	<u>Description</u>
12-1379-00	1	Harness and light switch
12-0084-00	1	Bow light
82-7769-00	3	#6x1" Fillister Head SMS
12-0085-00	1	Terminal block
82-1832-00	2	#8x1" Pan Head SMS
12-1599-03	1	Sternlight
12-0079-04	1	Base, Upper
12-0079-05	1	Base, Lower
82-0099-00	4	#10x1" Oval Head SMS
12-1599-03	2	Ring terminal
12-7329-00	1	Fuse block
12-0874-00	1	Fuse AGC 5 amp
12-9231-00	1	Fuse block cover
82-5575-00	4	#8x1-1/4" pan head SMS
12-9252-00	1	Label Live wire
15-0003-02	1	Inst. Dwg.